

(A) Voltage switch ⚠️ Set the switch to the correct line voltage.

(B) Temperature [TEMP1 to TEMP4]
Connect the primary 3K Series temperature sensor to TEMP1.
Connect any additional 3K Series sensors to the other terminals.

(C) Outdoor temperature (OUT TEMP)
Connect a 3K Series sensor for monitoring outdoor temperatures.

(D) Actuator feedback [ACT1 and ACT2]
Connect the feedback potentiometers from actuators that require it.

(E) Humidity [ANALOG]
Connect a Phason RHS Relative Humidity Sensor.

(F) Alarm relay
Connect an external alarm system or siren.

(G) Not used

(H) Fuses [F1 to F4]
Fuses for variable stages: F1 for VAR1, F2 for VAR2, and so on.

(I) Variable stages [VAR1 to VAR4]
Connect variable speed fans or heating equipment.

(J) General-purpose relays [RLY1 to RLY12]
Connect single stage (on or off) equipment to these terminals.

(K) Incoming power
Connect the incoming power from the panel.

(L) Display cable
Disconnect the cable during installation. Reconnect it when done.

(M) USB

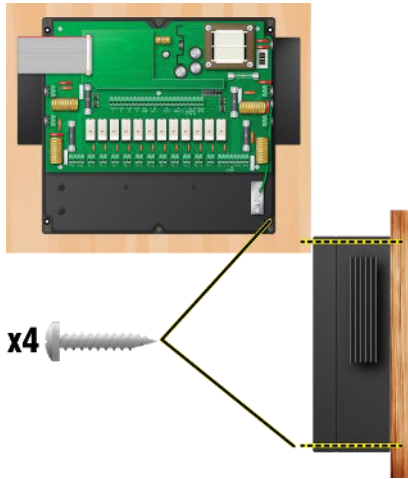
Connect a USB drive when saving / loading settings or upgrading.

(N) Pulse counter (COUNT)
Connect a WINDSPEED-03 sensor or water meter here.

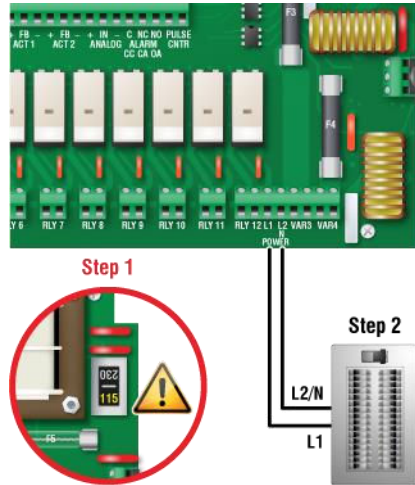
(O) DOL 114 [TEMP / HUM]
Connect a DOL 114 Temperature and Humidity Sensor.
Place the jumpers on the correct pins.

(P) DOL (AUX1 to AUX3)
Connect DOL 16 Light, DOL 19 Carbon Dioxide, or DOL 53 Ammonia Sensors. Place the jumpers on the correct pins.

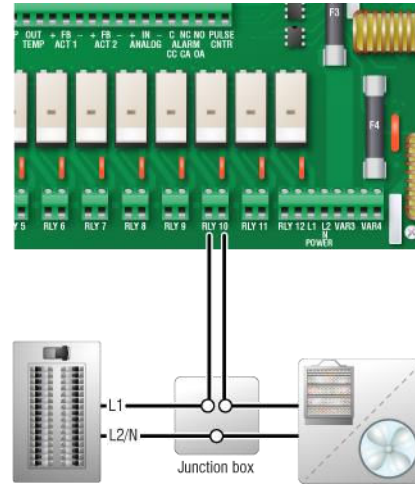
Mounting holes and orientation



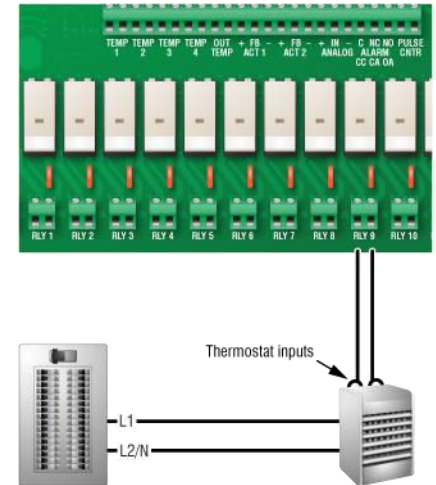
Incoming power



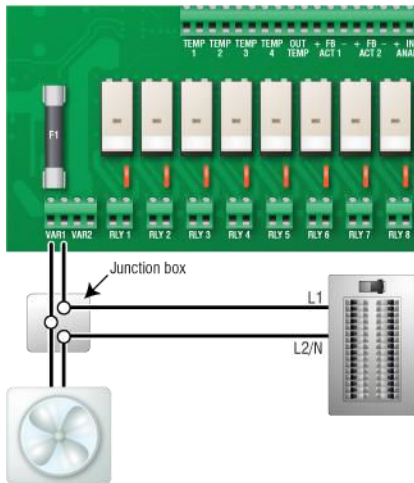
Fixed-speed cooling/heating equipment, air curtains



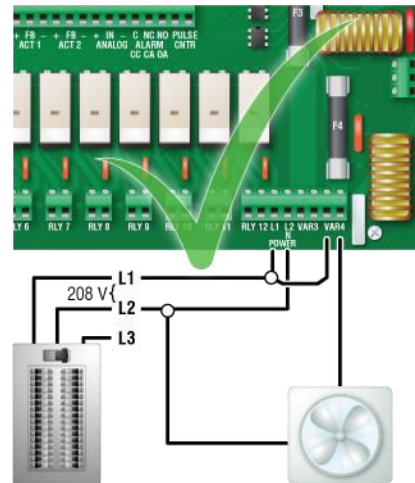
Gas-fired furnace



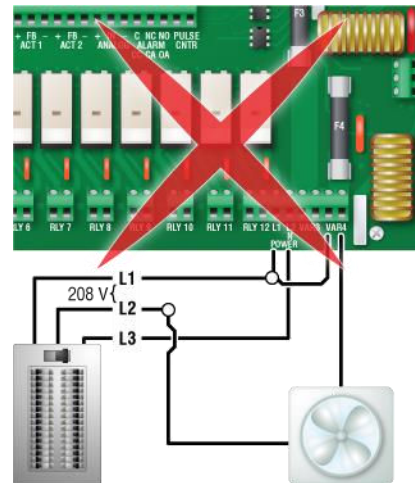
Variable speed fan



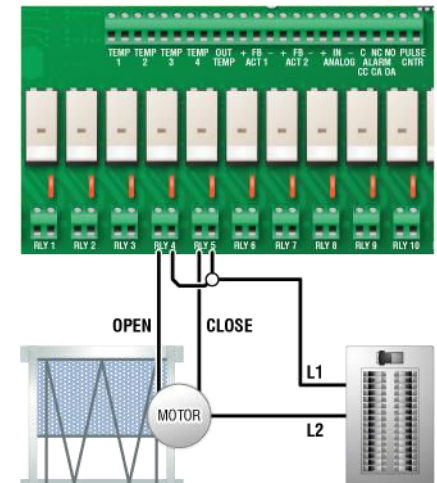
Correct three-phase wiring



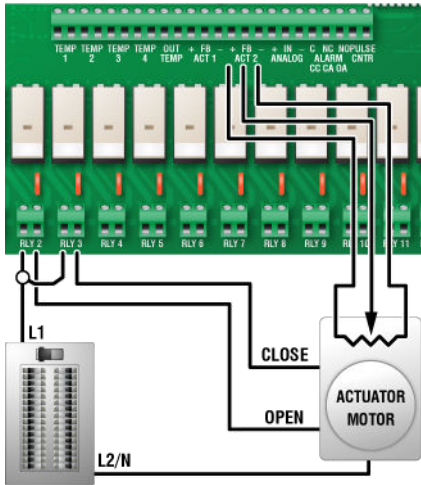
Incorrect three-phase wiring



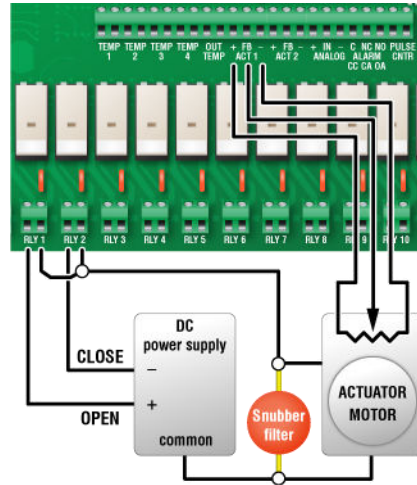
Curtain machine



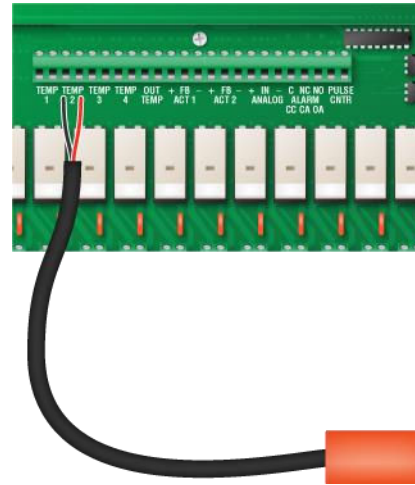
DC-powered actuator



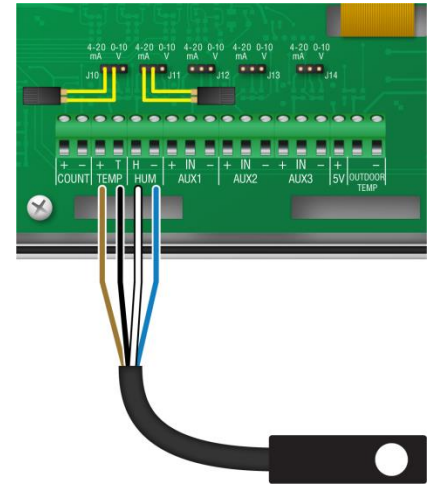
AC-powered actuator



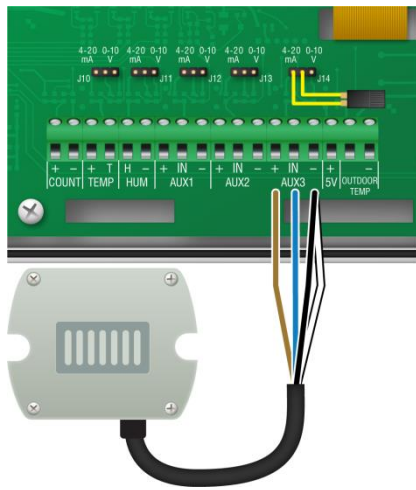
Phason 3K Series temperature sensor



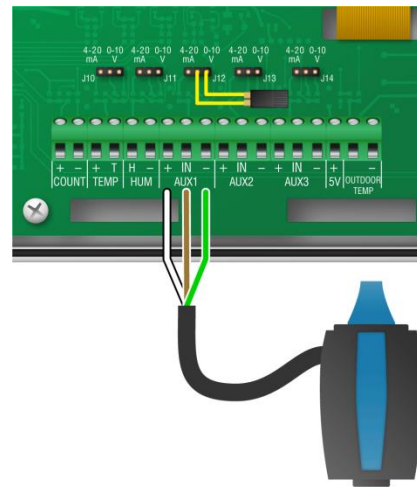
DOL 114 temperature and humidity



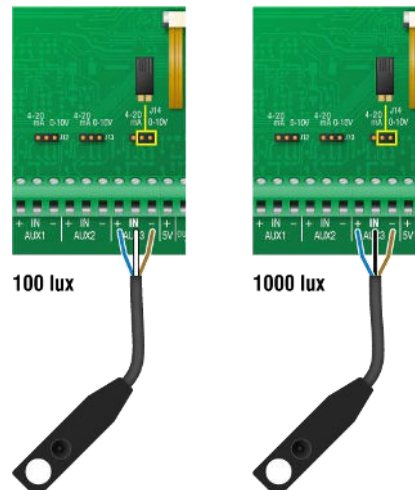
DOL 19 carbon dioxide



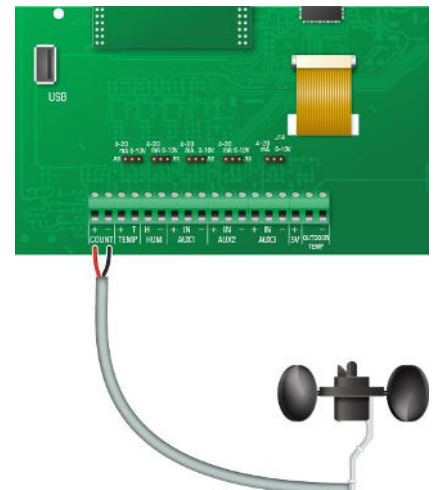
DOL 53 ammonia



DOL 16 light

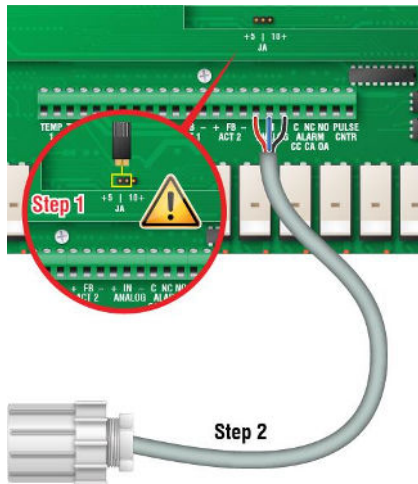


Phason Wind Speed Sensor

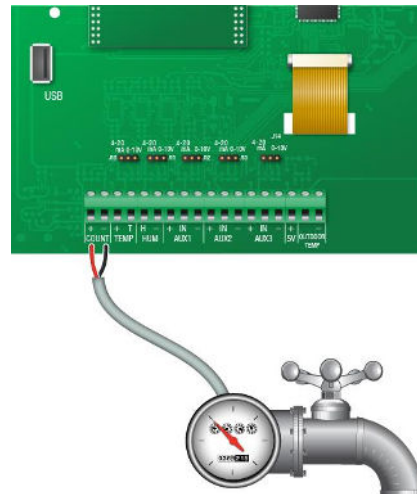


NOTE: Set the output on the DOL19 sensor to 4 to 20 mA. See the DOL19 installation guide.

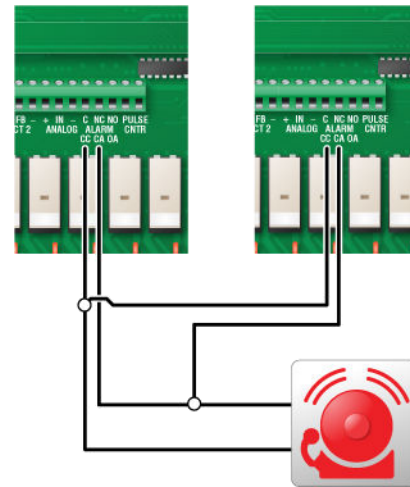
Phason Relative Humidity Sensor



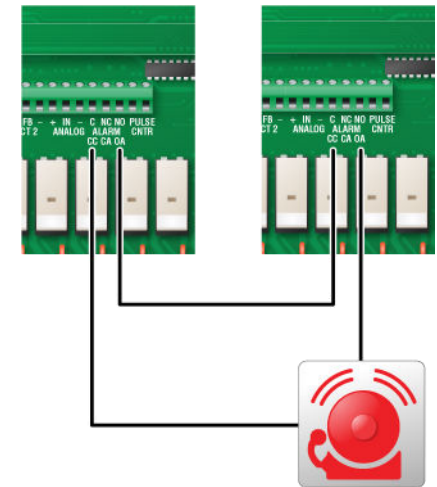
Water meter with dry contact pulse output



Normally open alarm system



Normally closed alarm system



Electrical ratings

Input power

- ◇ 120/230 VAC, 50/60 Hz

Variable stages [4: VAR1 to VAR4]

- ◇ 10 A at 120/230 VAC, general-purpose (resistive)
- ◇ 7 FLA at 120/230 VAC, PSC motor
- ◇ 1/2 HP at 120 VAC, 1 HP at 230 VAC, PSC motor

Fuses [4: F1 to F4]

- ◇ 15 A, 250 VAC ABC-type ceramic

Relay stages [12: RLY1 to RLY12]

- ◇ 10 A at 120/230 VAC, general-purpose (resistive)
- ◇ 1/3 HP at 120 VAC, 1/2 HP at 230 VAC
- ◇ 360 W tungsten at 120 VAC

Alarm relay

- ◇ 0.4 A at 125 VAC; 2 A at 30 VDC, resistive load
- ◇ 0.2 A at 125 VAC; 1 A at 30 VDC, inductive load1